



COUNTER TOP SUBLIMATION OVEN

SubliPro-CT

Overview

The HIX SubliPro CounterTop oven provides the ideal entry-level solution for the dye sublimation of drink ware such as standard 11/15 oz mugs, travel mugs, shot glasses, pint glasses, beer stains, metal containers, dog and cat bowls, etc.

This oven is also the ideal alternative for any company currently using the old mug system, providing greater efficiency and an almost unlimited variety in the choice of substrates.

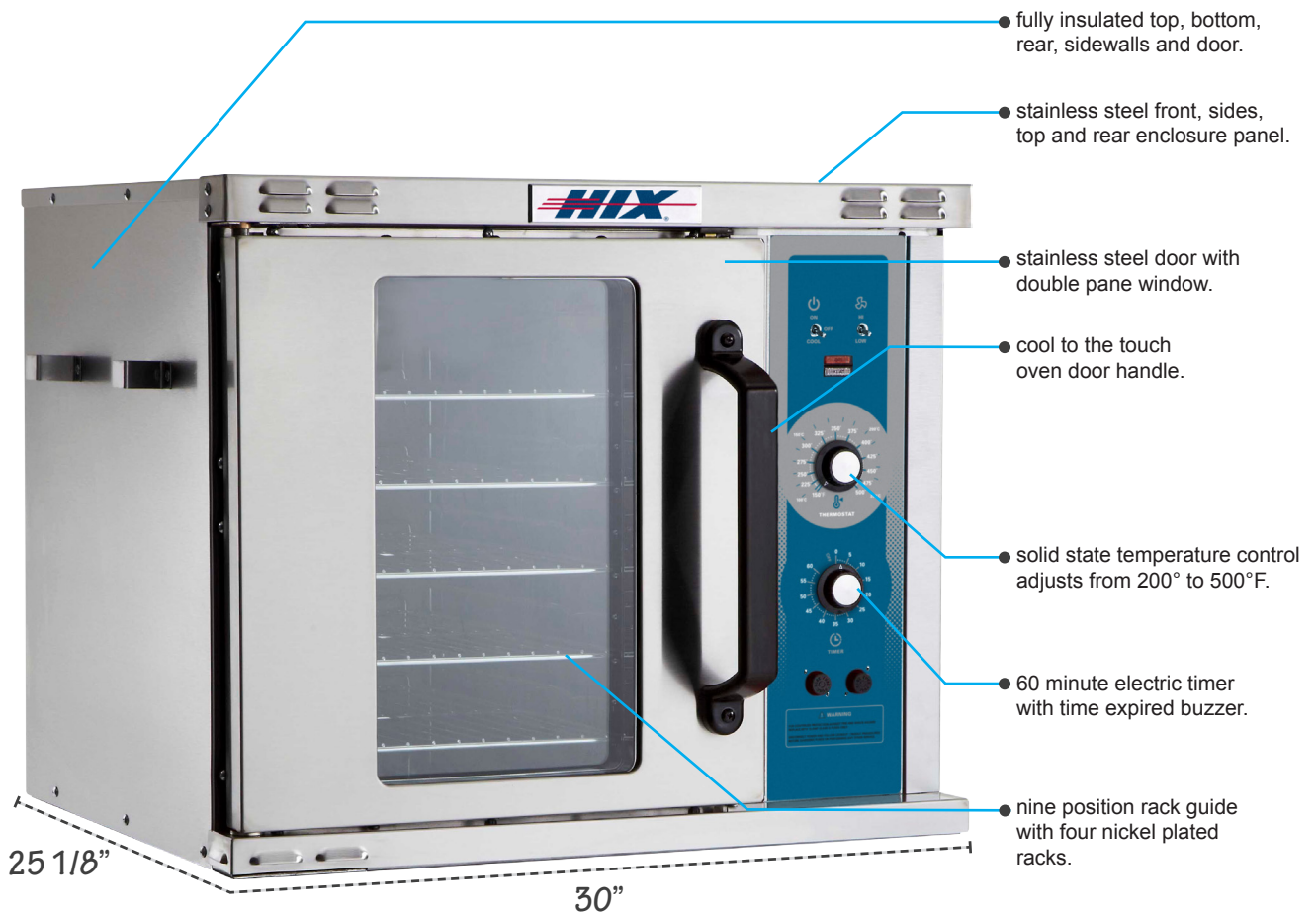
The oven can be used in conjunction with our patented Mug Wraps which can be customized for any size or shape of round substrates.

The HIX SubliPro CT has a large porcelain enamel steel oven interior, producing as many as 12-15 mugs per cycle or more than 48 per hour.

It also comes with nine position nickel plated rack guides and four nickel plated racks to accommodate a variety of substrates with varying heights and diameters.

The oven chamber is heated by powerful 7.5 KW heating elements. Air convection is provided by a two speed 1/3 H.P. oven blower motor.

The oven is fully insulated and enclosed with stainless steel panels and door with double pane window. It comes with temperature controls adjustable from 200° to 500°F and a 60 minute electrical timer with continuous sounding buzzer.



Counter Top Sublimation Oven



COUNTER TOP SUBLIMATION OVEN

SubliPro-CT

Specifications

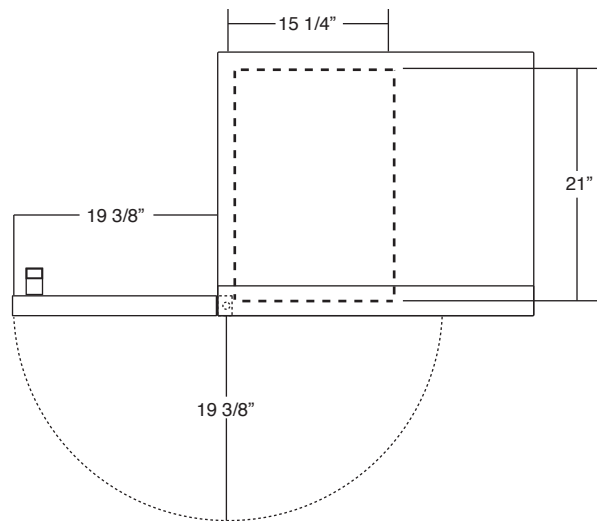
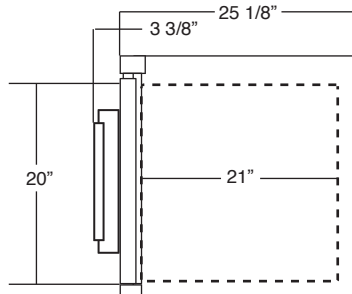
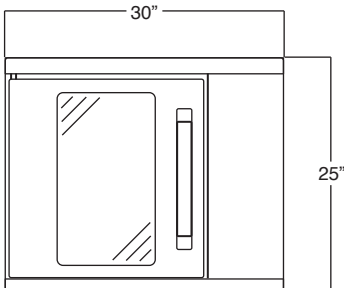
| | |
|----------------|---------------------------------|
| Oven chamber | 15 1/4"Ww x 21"D x 20"H |
| Total Watts | 8.0 KW (including blower motor) |
| Volt/Amp/Phase | 208V/ 38A/ 1PH |
| | 208V/ 23A/ 3PH |
| | 240V/ 33A/ 1PH |
| | 240V/ 19A/ 3PH |

| | |
|---------------------|------------------------|
| Temperature range | 200°F - 500° F |
| Fan power | 1/3 H.P. |
| Oven dimensions | 30"W x 28 1/2"D x 29"H |
| Oven weight | 218 lbs |
| Shipping dimensions | 33"W x 33"D x 36"H |
| Shipping Weight | 271 lbs |



Key Features:

- Stainless steel front, sides, top and rear enclosure panel.
- Stainless steel door with double pane window.
- Cool to the touch oven door handle.
- Stainless steel oven door gaskets.
- 7.5 KW heat input (8.0 KW total with blower motor).
- Solid state temperature control adjusts from 200° to 500°F.
- 60 minute electric timer with time expired buzzer.
- 1/3 H.P. two speed fan motor.
- Oven cool switch for rapid cool down when door is open.
- Oven interior liners are porcelain on steel.
- Nine position rack guide with four nickel plated racks.
- UL certified
- 1 year limited warranty



VISIT: www.hixgraphics.com or PHONE: 800.835.0606

HIX Corporation | 1201 E. 27th Terrace | Pittsburg, KS 66762